

MATERIALS AND FINISHES

BODY, COUPLING NUT: BRASS
PLATED SEE TABLE

CENTER CONTACT: BRASS
PLATED GOLD

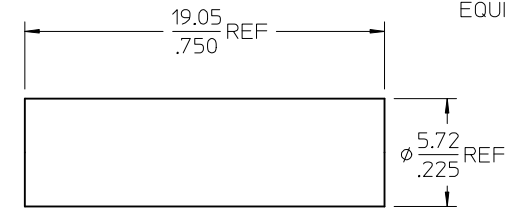
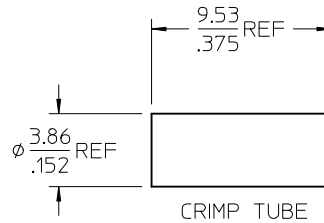
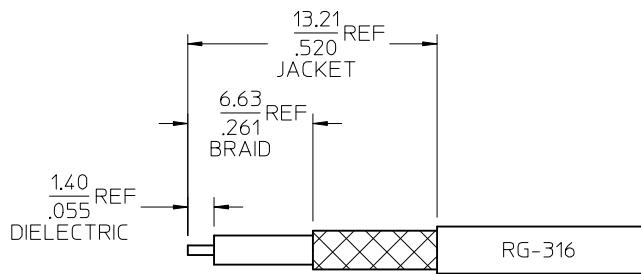
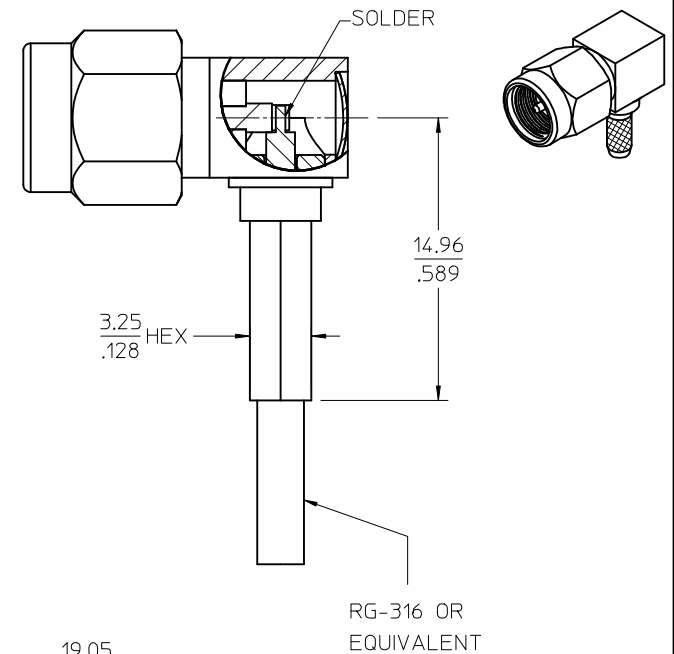
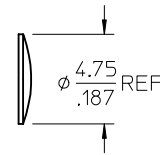
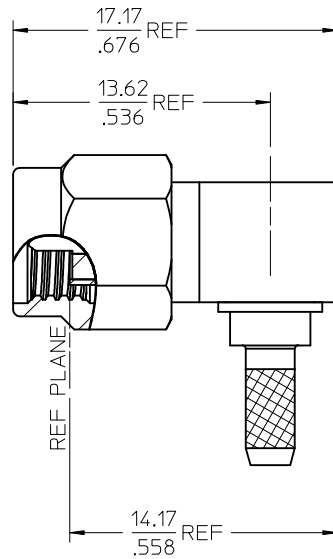
INSULATOR: TEFLON

CAP: STAINLESS STEEL
PASSIVATED

C-RING: BERYLLIUM COPPER

CRIMP TUBE: BRASS
PLATED SEE TABLE

SHRINK TUBE: VERSAFIT
SEE TABLE



SHRINK TUBE
(73391-0231 ONLY)

RECOMMENDED CABLE STRIP

73391-0235	NOT INCLUDED	NICKEL	NICKEL	STANDARD TRAY
73391-0234	NOT INCLUDED	GOLD	NICKEL	73391-0230 PACKED ONE PER BAG
73391-0233	NOT INCLUDED	GOLD	GOLD	STANDARD TRAY
73391-0232	NOT INCLUDED	GOLD	NICKEL	73391-0230 PACKED IN SMALL TRAY (20 CAVITY)
73391-0231	INCLUDED	GOLD	NICKEL	STANDARD TRAY
73391-0230	NOT INCLUDED	GOLD	NICKEL	STANDARD TRAY
PART NO.	SHRINK TUBE	BODY & NUT	CRIMP TUBE	PACKAGING
		PLATING	PLATING	

PS-89675-3460	ELECTRICAL/MECHANICAL
MIL-STD-348A, FIG. 310-1	INTERFACE
SPECIFICATION	DESCRIPTION

CHG: ADDED -0235
PER PDR16102354
EC NO: URF2017-0180 2016/10/28
DRAWN: WME102
CHKD: APPR: YCHENG
2016/11/21
DESCRIPTION

QUALITY SYMBOLS
▽=0
▽=0
ANGULAR ± 2°
DRAFT WHERE APPLICABLE
MUST REMAIN
WITHIN DIMENSIONS

GENERAL TOLERANCES
(UNLESS SPECIFIED)
mm INCH
4 PLACES ± --- ± ---
3 PLACES ± --- ± ---
2 PLACES ± --- ± ---
1 PLACE ± --- ± ---
APPROVED BY
MISEN 2001/01/30
MATERIAL NO.
SEE TABLE

DIMENSION STYLE
MM/IN
SCALE
DESIGN UNITS
METRIC
THIRD ANGLE PROJECTION
DRAWN BY
LYNN LIN 2001/01/30
CHECKED BY
KERRIE 2001/01/30
DATE
2001/01/30
TITLE
SMA PLUG R/A 50 OHMS FOR
RG-316
SMA-PC/RA EWR-1765
MOLEX INCORPORATED
DOCUMENT NO.
SD-73391-023
SHEET NO.
1 OF 1

THIS DRAWING CONTAINS INFORMATION THAT IS PROPRIETARY TO MOLEX INCORPORATED AND SHOULD NOT BE USED WITHOUT WRITTEN PERMISSION