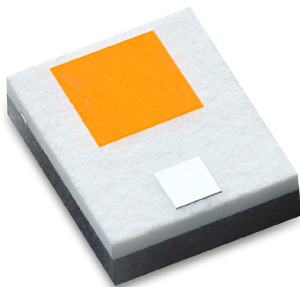




# LUXEON F PC Amber

Industry-leading solutions for turn applications



LUXEON F PC Amber and LUXEON F Plus PC Amber automotive LEDs deliver design flexibility and advanced functionality. These products, with their miniaturized form factor are designed to support daytime running lights, side marker and turn signal applications. The Lumileds automotive binning structure meets both SAE and ECE color specifications and is hot binned at 85°C, consistent with actual automotive operational environments. LUXEON F PC Amber and LUXEON F Plus PC Amber provide industry-leading solutions for your front and rear turn applications. All LUXEON F LEDs are AEC-Q101 qualified.

## FEATURES AND BENEFITS

- Higher drive current capability for increased flux performance
- Low thermal resistance for better hot lumen performance
- Standard packaging for low cost and ease of manufacturability
- Hot binned at 85°C mono pulse (MP) to match closer to operating conditions

## PRIMARY APPLICATIONS

- Daytime Running Lights
- Side Marker
- Turn
  - Front Turn
  - Rear Turn

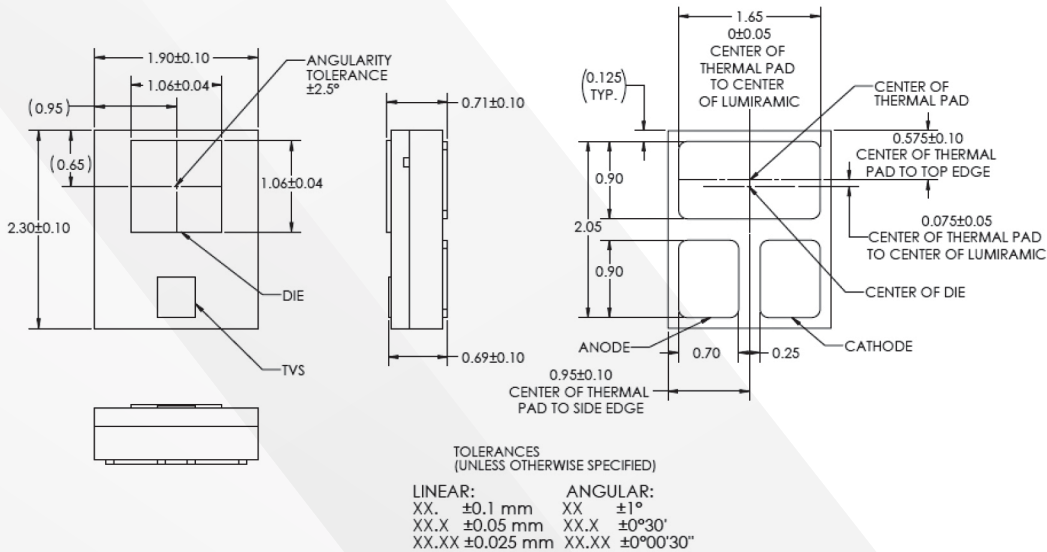
LUXEON F PC Amber and LUXEON F Plus PC Amber Absolute Ratings.

PARAMETER	PERFORMANCE
Minimum DC Forward Current	50mA
Maximum DC Forward Current	700mA for LUXEON F PC Amber 1000mA for LUXEON F Plus PC Amber
Maximum Junction Temperature <sup>[1]</sup>	135°C
Operating Case Temperature at Test Current <sup>[1]</sup>	-40°C to 125°C
Operating Case Temperature at Maximum Current <sup>[1]</sup>	-40°C to 125°C
Storage Temperature	-40°C to 130°C
Maximum Soldering Temperature	260°C
Allowable Reflow Cycles	3
ESD Sensitivity <sup>[2]</sup>	±8 kV HBM, ±400 V MM, ±2kV CDM
Reverse Voltage (V <sub>r</sub> )	LUXEON F LEDs are not designed to be driven in reverse bias
Autoclave Conditions	121°C at 2 ATM 100% Relative Humidity for 96 Hours Maximum

Notes:

- Proper current derating must be used to maintain junction temperature below the maximum. LUXEON F LEDs driven at or above the maximum LED case temperature may have shorter lifetime.
- Measured using human body model (per JESD22 A114), machine model (per JESD22 A115) and charged device model (per JESD22 C101).

Mechanical Dimensions.



Notes:

- Drawings are not scale.
- All dimensions are in millimeters.